



Panel-Filter AGF-FE-4

Especially in emission control via portal analysis systems the sample gas cannot always be extracted without particle contamination. The necessary conditioning systems must be compact and lightweight and therefore require small and light system components.

We offer special filter housings for these applications and for installation into a standard 19" rack.

The AGF-FE-4 filters screw into the front panel and their sample gas connections are located at the back.

Front panel installation

Easy installation

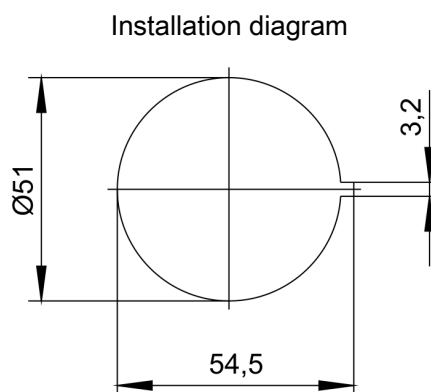
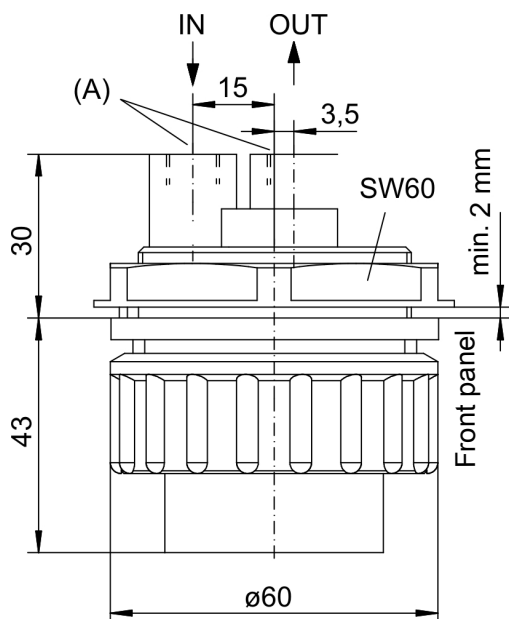
Large filter surface

Easy element replacement

Acid-proof materials



Dimensions



Use in explosive areas (additional notices):

The filter meets the fundamental safety requirements of Directive 2014/34/EU and is suitable for use in Category 2G, Explosion class IIB areas. The filter is not marked, as it does not have an innate ignition source and Directive 2014/34/EU therefore does not apply.

Flammable gases, explosion class IIB, which could occasionally be explosive during normal operation may be conveyed through the filter.

Be sure to observe the instructions in the respective operating instructions!

Ambient temperature range when used in Ex areas: $-5\text{ °C} \leq T_{\text{amb}} \leq 60\text{ °C}$.

Technical Data

AGF-FE-4 Built-In Filter

Filter surface	42 cm ²
Filter fineness	2 µm
Dead volume	28.5 ml
Material - filter housing	PTFE, PVDF, Duran glass (parts in contact with mediums)
Material - gasket	Viton or PTFE-reinforced Viton
Material - filter element	Sintered PTFE
Connections (A)	G1/8 or NPT 1/8 (see ordering information)
Operating pressure max.	2 bar
Medium temperature	max. +100 °C

Ordering instructions

Filter*

Item no.	Model	Connections
41 15 100	AGF-FE-4	G1/8
41 15 100I	AGF-FE-4-I	NPT 1/8
41 15 200	AGF-FE-4-Vi/PTFE	G1/8
41 15 200I	AGF-FE-4-Vi/PTFE-I	NPT 1/8
41 01 003	O-ring	

* one filter element is included with delivery.

Filter element

Item no.	Model	Material	VE	Ex application
41 15 10 50	FE-4	Sintered PTFE	8 count	II B