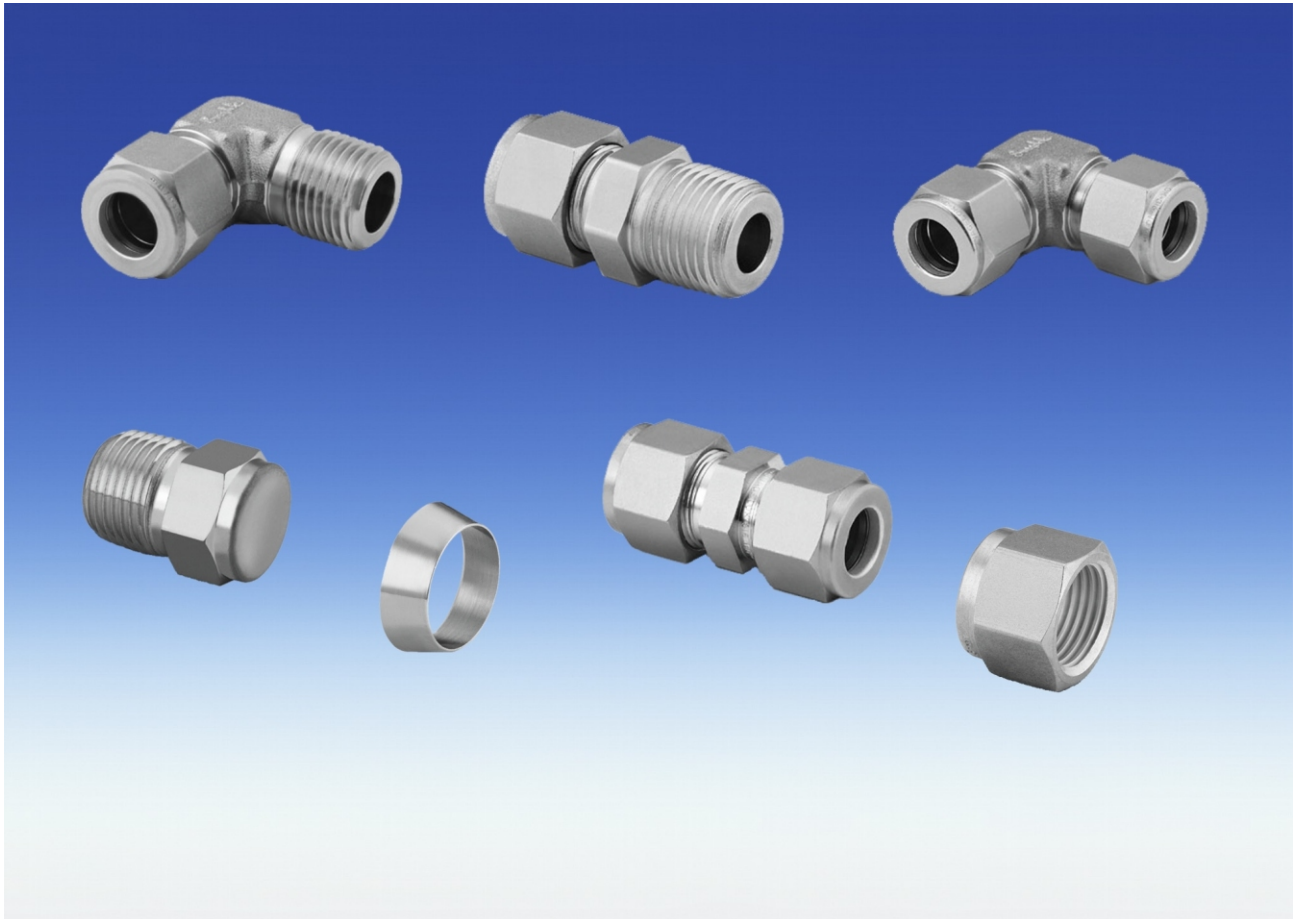


Pipe fittings and plugs made of stainless steel



The screw connections serve to join and connect stainless steel pipes. Only those screw connections are listed that are used frequently in connection with our gas-treatment components:

- Male screw connections, straight and elbow
- Tube connectors, straight and angled
- Sealing caps
- Spare parts

If you require other types and sizes, please request them!

- **Detachable compression screw connections**

Material: Stainless steel 316

- **Tapered thread (ISO/BSP);**
Standard: 1/4" and 3/8"

- **NPT thread;**
Standard: 1/4" and 3/8"

- **Metric pipe dimensions;**
Standard: 6, 8, 10 and 12 mm

- **Imperial pipe dimensions;**
Standard: 1/4", 3/8" and 1/2"

- **Grease-free version on request**

Examples for the use of screw attachments and plugs

- Stainless steel gas heat exchanger connections
- Probes: Connections for test gas, gas calibrations, purge air and control air
- Stainless steel filter connections
- Spare parts for gas pumps with stainless steel heads

General technical data

Material: Stainless steel 316 (1.4401 / 1.4436)

All measurements in this detail sheet are in mm, (inch measurements are in brackets!)

Permitted pressures

Permitted operating pressures in bar/psig for stainless steel seamless pipes.

Pressure measurements for pipes that are subject to simple welding must be multiplied by 0.8.

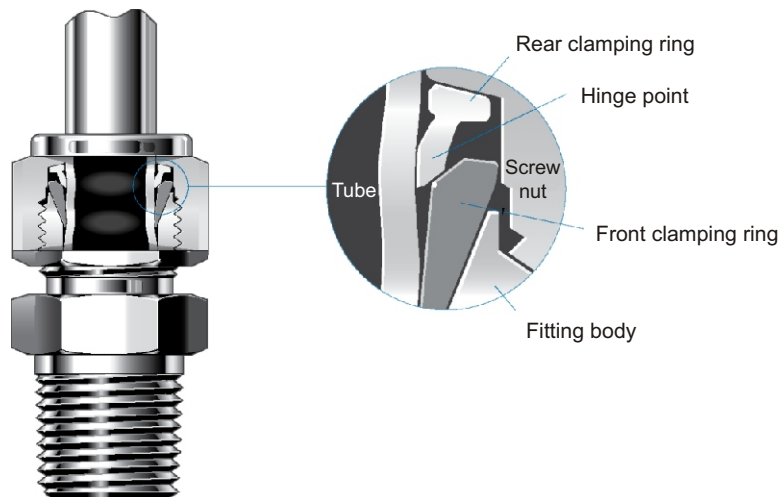
The data in the tables are only guidelines!

Pipe outer diameter

		Pipe outer diameter								
		Pipe wall thickness	6 mm	8 mm	10 mm	12 mm	1/8"	1/4"	3/8"	pressure
metric	1 mm		420	310	240	200				bar
			6094	4498	3482	2902				psig
	1,5 mm		710	520	400	330				bar
			10302	7545	5804	4788				psig
	2 mm				580	470				bar
					8415	6819				psig
imperial	0,89 mm (0,035 inch)						720	341,5	227	bar
							10900	5100	3300	psig
	1,25 mm (0,049 inch)							517	330	bar
								7500	4800	psig
	1 mm (0,065 inch)							703	448	bar
								10200	6500	psig

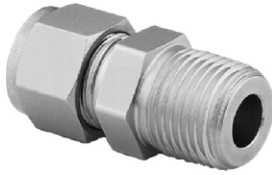
Special characteristics

- Spring-loaded design with two clamping rings.
- Easy to assemble.
- No torque transmission to the pipe during assembly.



During design assembly with new geometry the front clamp ring is pressed into the screw connection body and the pipe, so that primary seals are created, while the rear clamp ring folds inwards, thereby firmly clamping the pipe. An improved hinge tension effect is created due to the geometry of the rear clamp ring in which an axial movement causes radial pressure to be applied to the pipe for which a low torque is sufficient.

Straight male screw connection



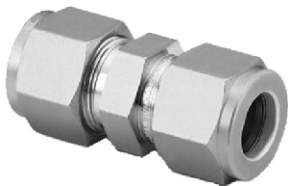
See table for dimensions

A Pipe outer diameter
 B Thread connection
 L Total length
 SW Width across flats

Other dimensions are available on request

	A	B (inches)	L mm (inches)	SW mm (inches)	Item-No.
Tapered ISO/BSP thread (RT)	6 mm	1/4	37,9 (1.492)	14 (0.55)	9008319
		3/8	38,4 (1.51)	18 (0.708)	9008354
Metric pipe	8 mm	1/4	38,7 (1.52)	15 (0.59)	9008351
		3/8	39,2 (1.54)	18 (0.708)	9008671
	10 mm	3/8	40,9 (1.61)	18 (0.708)	9008672
	12 mm	3/8	43,4 (1.7)	22 (0.866)	9008673
Imperial pipe	1/4"	1/4	37,9 (1.49)	14 (0.56)	9008674
		3/8	38,4 (1.51)	17,45 (0.688)	9008675
	3/8"	1/4	39,87 (1.57)	15,88 (0.625)	9008676
		3/8	39,87 (1.57)	17,45 (0.688)	9008677
	1/2"	3/8	43,4 (1.71)	20,64 (0.813)	9008582
NPT thread Metric pipe	6 mm	NPT 1/4	37,9 (1.492)	14 (0.55)	9008173
		NPT 3/8	38,4 (1.51)	18 (0.708)	9008177
	8 mm	NPT 1/4	38,7 (1.52)	15 (0.59)	9008174
		NPT 3/8	39,2 (1.54)	18 (0.708)	9008178
		NPT 1/2	45,6 (1.8)	22 (0.866)	9008468
	10 mm	NPT 3/8	40,9 (1.61)	18 (0.708)	9008679
	12 mm	NPT 3/8	43,4 (1.7)	22 (0.866)	9008179
Imperial pipe	1/4"	NPT 1/4	37,9 (1.49)	14 (0.56)	9008584
		NPT 3/8	38,4 (1.5)	17,45 (0.688)	9008681
	3/8"	NPT 1/4	39,87 (1.57)	15,88 (0.625)	9008682
		NPT 3/8	39,87 (1.57)	17,45 (0.688)	9008683
		1/2"	NPT 3/8	43,4 (1.71)	20,63 (0.813)

Straight connector



See table for dimensions

A Pipe outer diameter 1
 B Pipe outer diameter 2
 L Length
 SW Width across flats

Other dimensions are available on request

	A	B	L	Item-No.
metric	6 mm	6 mm	41 mm	9008329
		8 mm	39,4 mm	9008418
	8 mm	8 mm	43,2 mm	9008332
	10 mm	10 mm	46,2 mm	9008334
imperial	1/4"	1/4"	1,61 inches	9008565
		3/8"	1,70 inches	9008559
	3/8"	3/8"	1,77 inches	9008698

Elbow male screw connection



See table for dimensions

- A Pipe outer diameter
- B ISO thread connector
- C Screw connection turning radius
- SW Screw connection jaw size

Other dimensions are available on request

	A	B (inches)	C mm (inches)	SW mm (inches)	Item No.	
Tapered ISO/BSP thread (RT)	6 mm	1/4	27 (1.06)	12,7 (0.5)	9008376	
		3/8	29,8 (1.17)	17,5 (0.688)	9008685	
Metric pipe	8 mm	1/4	28,8 (1.134)	14,29 (0.563)	9008377	
		3/8	30,6 (1.2)	17,5 (0.688)	9028032	
	10 mm	3/8	31,5 (1.24)	17,5 (0.688)	9008686	
	12 mm	3/8	36 (1.42)	20,64 (0.813)	9008381	
Imperial pipe	1/4"	1/4	27 (1.06)	12,7 (0.5)	9008595	
		3/8	29,8 (1.17)	17,5 (0.688)	9008688	
	3/8"	1/4	30,48 (1.20)	15,89 (0.625)	9008689	
		3/8	31,24 (1.23)	17,5 (0.688)	9008690	
	1/2"	3/8	36,07 (1.42)	20,64 (0.813)	9008691	
NPT thread Metric pipe	6 mm	NPT 1/4	27 (1.06)	12,7 (0.5)	9008121	
		NPT 3/8	29,8 (1.17)	17,5 (0.688)	9008125	
	8 mm	NPT 1/4	28,8 (1.134)	14,29 (0.563)	9008122	
		NPT 3/8	30,6 (1.29)	17,5 (0.688)	9008692	
	10 mm	NPT 3/8	31,5 (1.24)	17,5 (0.688)	9008693	
	12 mm	NPT 3/8	36 (1.42)	20,64 (0.813)	9008126	
	Imperial pipe	1/4"	NPT 1/4	27 (1.06)	12,7 (0.5)	9008595
			NPT 3/8	29,8 (1.17)	17,5 (0.688)	9008694
3/8"		NPT 1/4	30,48 (1.20)	15,89 (0.625)	9008695	
		NPT 3/8	31,24 (1.23)	17,5 (0.688)	9008696	
1/2"		NPT 3/8	36,07 (1.42)	20,64 (0.813)	9008697	

Angled connector



See table for dimensions

- A Pipe outer diameter 1
- B Pipe outer diameter 2
- C Screw connection turning radius
- SW Screw connection jaw size

Other dimensions are available on request

	A	B	C	SW	Item No.
metric	6 mm	6 mm	27 mm	1/2 inches	9008555
	8 mm	8 mm	28,8 mm	9/16 inches	9008699
	10 mm	10 mm	31,5 mm	11/16 inches	9008591
imperial	1/4"	1/4"	1,06 inches	1/4 inches	9008386
	3/8"	3/8"	1,2 inches	5/8 inches	90086991

Spare parts: Sleeve nuts and cutting rings



Sleeve nut



Front clamping ring



Rear clamping ring

	Tube AD	Width across flats SW mm (inches)	Sleeve nut	Clamping rings Set = 10 pcs.
metric	6 mm	14 (0.55)	9008529	9008345
	8 mm	16 (0.63)	9008530	9008344
	10 mm	19 (0.75)	9008531	9008666
	12 mm	22 (0.866)	9008532	9008667
imperial	1/8"	11,11 (0.44)	9008526	9008668
	1/4"	14,29 (0.56)	9008527	9008669
	3/8"	17,46 (0.687)	9008665	9008670

Screw-in plugs



imperial (NPT thread)



imperial (G thread)

See table for dimensions

SW Screw connection jaw size
L Length

Other dimensions are available on request

		SW mm (inches)	L mm (inches)	Item No.
metric	G 1/8"	10 (0.4)	17 (0.67)	9008471
	G 1/4"	13 (0.51)	21 (0.83)	9008472
	G 3/8"	17 (0.67)	21 (0.83)	9008456
imperial	NPT 1/8"	11,11 (0.44)	19,1 (0.75)	9008801
	NPT 1/4"	14,29 (0.56)	24,4 (0.96)	9008802
	NPT 3/8"	17,46 (0.687)	25,1 (0.99)	9008803