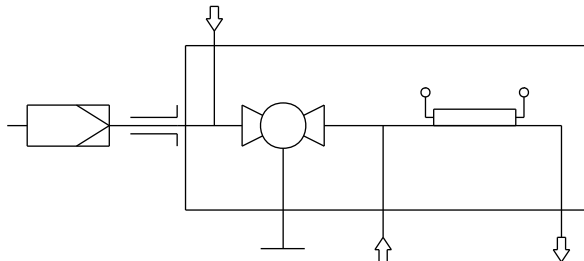


Sample gas probe GAS 222.31

Flow Diagram



Description:

- Heated sample gas probe with shut off valve in-situ filter and weather protection shield
- Effective insulation and protection shield
- Electronic heater up to 200°C with low/high temperature alarm and display
- Dust concentration up to 200g/m³
- Not for hazardous areas



Technical Data:

- Material: 1.4571, ball valve 1.4408
- Seals: PTFE/graphite/1,4404
- Operating temperature: max. 200°C
- Max. working pressure: 6 bar
- Voltage 230 V, 2,0 A, 50/60Hz
or 115 V, 3,8 A, 50/60Hz,
- Temperature range: +50 to +200°C
- Alarm: adjustable $\pm 5 \dots 30K$ from set point
factory set 15K
current max. 1A
- Protection class: IP54
- Ambient temperature: -20 to +70°C (may be limited by options)

Order information: Base units:

- GAS 222.31 230V p/n 4622231
- GAS 222.31 115V p/n 4622232

In combination with heated extensions (see accessories) add a "G" to p/n. for example: 4622231G.

Options:

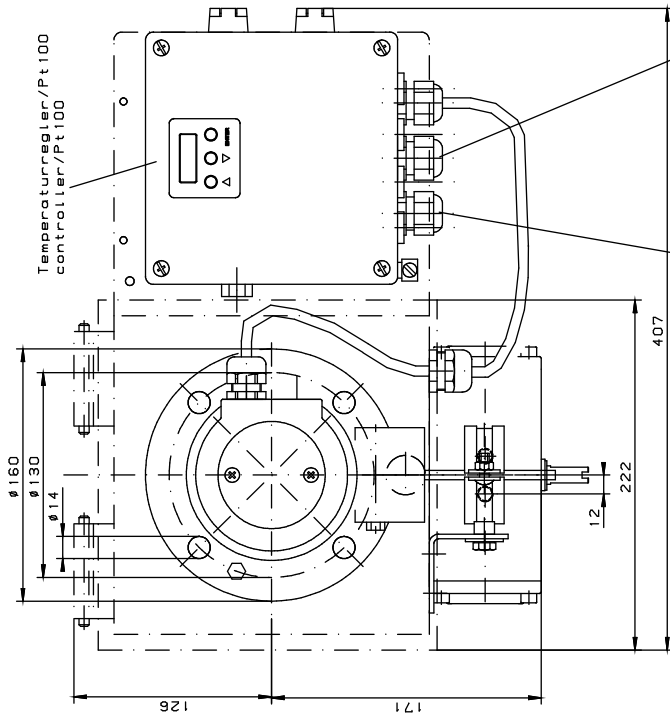
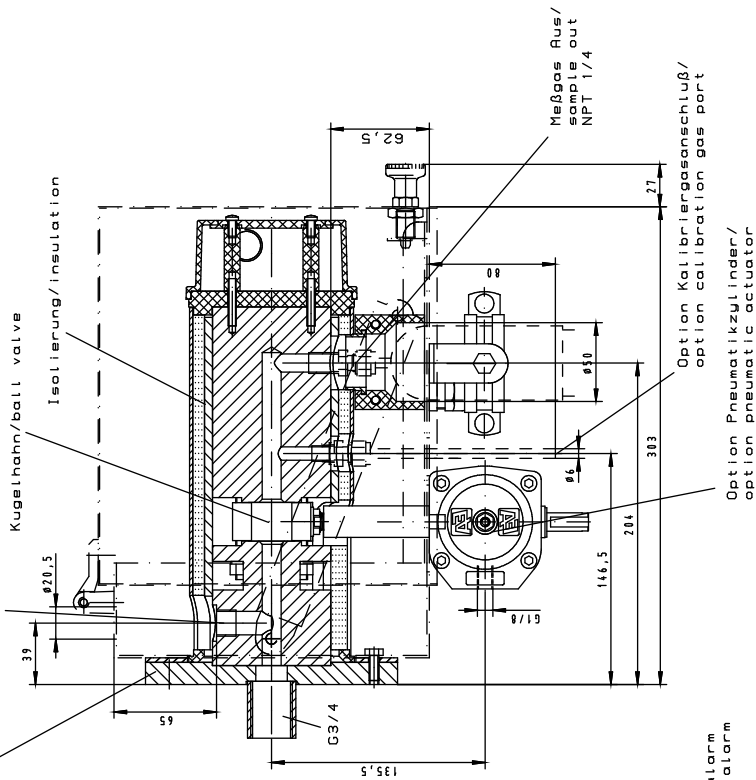
To customize the base unit to meet the needs of any application, please refer to data sheet DE461099 "Accessories for Gas Sample Probes".

- Heated/unheated extensions
- Filters
- Calibration gas port
- ANSI flange 3"
- Pneumatic actuator
- Blowback
- Blowback control unit

For general information see data sheet "Gas Sample Probes GAS 222" DE461000.

Flansch/flange DN65 PN5

Spülanschluß/
back wash port
G3/8



Unter/Übertemperaturalarm
low/high temperature alarm
M20x1,5
16-12mm

Art.Nr./part-no. 4622231 4622232
Werkstoffe/materials 1.4571 / SS316Ti
-Flansch, Kopf / flange, head 1.4404 / SS316L / 1.4408 / CF-8M / PTFE
Betriebstemperatur Sonde/
operating temperature probe max. 200°C / 392°F

Heizung / heater 230V 50/60Hz 440W 115 50/60Hz 425W
-Temperaturbereich / temperature range 50 .. 200°C / 122 .. 392°F
-Alarm einstellbar / alarm adjustable 15 .. 30°C / 19 .. 54°F
vom Sollwert / from set-point
+15°C / +27°F
werkseitig eingestellt / factory set
max. Schaltstrom / max. current 1A
-Schutzart / degree of protection IP54
-Umgebungstemperatur / ambient temperature -20 .. +70°C / -4 .. +158°F
Steuerdruck Pneumatikzylinder/
pilot pressure pneumatic actuator 6 bar

alle Konten gratfrei	Meße ohne Toleranzen nach ISO 2180-01	Maßstab 1:2	(Gewicht)
Überflächen- bezeichnungen	Druck 24.08.2005	Herbststoff:	
✓ = √ x = × / = / z = z	Druck 24.08.2005	Benennung:	Gesamtnahmesonde sample gas probe GAS 222.31
		Zeichn.-Nr. 46/065-30-2B	
		Art.-Nr.	
		ARBEITSPREISUNG:	

